

Сигнальный изолятор DCM817

Архангельск (8182)63-90-72
Астана (7172)727-132
Астрахань (8512)99-46-04
Барнаул (3852)73-04-60
Белгород (4722)40-23-64
Брянск (4832)59-03-52
Владивосток (423)249-28-31
Волгоград (844)278-03-48
Вологда (8172)26-41-59
Воронеж (473)204-51-73
Екатеринбург (343)384-55-89
Иваново (4932)77-34-06
Ижевск (3412)26-03-58
Казань (843)206-01-48

Калининград (4012)72-03-81
Калуга (4842)92-23-67
Кемерово (3842)65-04-62
Киров (8332)68-02-04
Краснодар (861)203-40-90
Красноярск (391)204-63-61
Курск (4712)77-13-04
Липецк (4742)52-20-81
Магнитогорск (3519)55-03-13
Москва (495)268-04-70
Мурманск (8152)59-64-93
Набережные Челны (8552)20-53-41
Нижний Новгород (831)429-08-12
Новокузнецк (3843)20-46-81

Новосибирск (383)227-86-73
Омск (3812)21-46-40
Орел (4862)44-53-42
Оренбург (3532)37-68-04
Пенза (8412)22-31-16
Пермь (342)205-81-47
Ростов-на-Дону (863)308-18-15
Рязань (4912)46-61-64
Самара (846)206-03-16
Санкт-Петербург (812)309-46-40
Саратов (845)249-38-78
Севастополь (8692)22-31-93
Симферополь (3652)67-13-56
Смоленск (4812)29-41-54

Сочи (862)225-72-31
Ставрополь (8652)20-65-13
Сургут (3462)77-98-35
Тверь (4822)63-31-35
Томск (3822)98-41-53
Тула (4872)74-02-29
Тюмень (3452)66-21-18
Ульяновск (8422)24-23-59
Уфа (347)229-48-12
Хабаровск (4212)92-98-04
Челябинск (351)202-03-61
Череповец (8202)49-02-64
Ярославль (4852)69-52-93

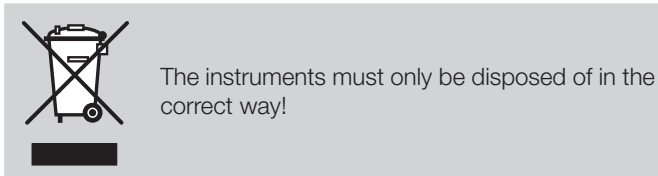
Единый адрес для всех регионов: cmn@nt-rt.ru || www.camille-bauer.nt-rt.ru

использовано с разрешения официального
дистрибьютора АО «ЮЕ-Интернейшнл»

DCM 817

Passive DC Signal Isolator

without power supply, modular design



1:1

Input signal 0/4...20 mA	Output signal 0/4...20 mA
-----------------------------	------------------------------

Fig. 1

The signal isolator serves to electrically insulate a DC signal in the range 0/4...20 mA (see Fig. 1). It operates passively, i.e. it does not require a separate power supply. The signal isolator is available in two versions which differ in the shape of the connection pins (see Figures 2 and 3 and Table 1). Its modular design enables one or several signal isolators to be mounted on a printed circuit board.

Features / Benefits

- **Electrically insulated between input and output signal / Prevents the transfer of interference voltages and currents, solves grounding problems in meshed signal networks and is cheap and small**
- **No power supply required / Less termination and wiring work**
- **Modular design / Versatility of application**
- **Small dimensions / Saves space**

Layout and mode of operation

The DC signal isolator comprises a DC chopper Z, an isolating stage T, a rectifier G and an oscillator O (see Fig. 4). The chopper converts the DC signal E into an AC signal. This signal is passed through a transformer serving as an isolating stage. On the secondary site, it is rectified, smoothed and converted into a DC signal A.

The DC chopper is controlled by the oscillator which obtains its power from the input signal.

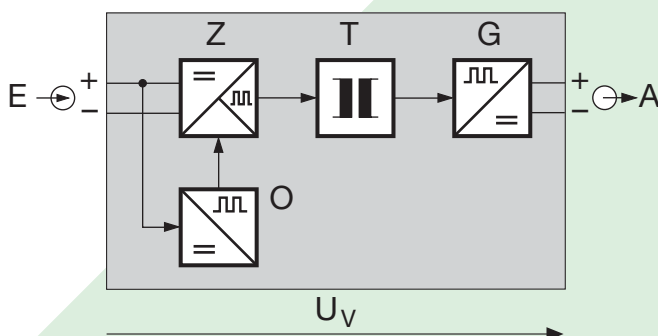


Fig. 4. Schematic diagram.

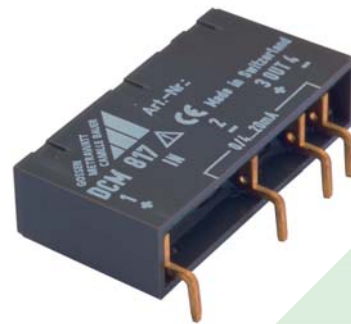


Fig. 2. Signal isolator type DCM 817-4.

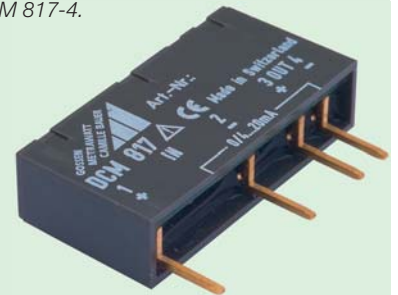


Fig. 3. Signal isolator type DCM 817-5.

Technical data

Input E

Current signal:	0/4...20 mA
Max. permissible current:	50 mA
Voltage limiter:	18 V \pm 5% (with zener diode)
Voltage drop U_v :	< 2.1 V (for 500 Ω burden)
Overshoot:	< 20 μ A (typical 5 μ A)

Output A

Current signal:	0/4...20 mA
Limit:	Approx. 30 mA

DCM 817

Passive DC Signal Isolator

Residual ripple: < 20 mVss
 Time constant: Approx. 5 ms
 Max. burden: 600 Ω

Accuracy data

Error limits: < ± 0.1%
 (reference value 20 mA, linearity error included)

Reference conditions

Ambient temperature: 23 °C, ± 1 K
 Output burden: 100 Ω

Additional error

Burden influence: < 0.2 % (at 500 Ω)
 Temperature coefficient: < 50 ppm/K

Regulations

Test voltage: 500 V_{eff}, 50 Hz, 1 min
 (acc. to IEC 1010)
 Max. surge voltage: 800 V (acc. to IEC 1010)

Ambient conditions

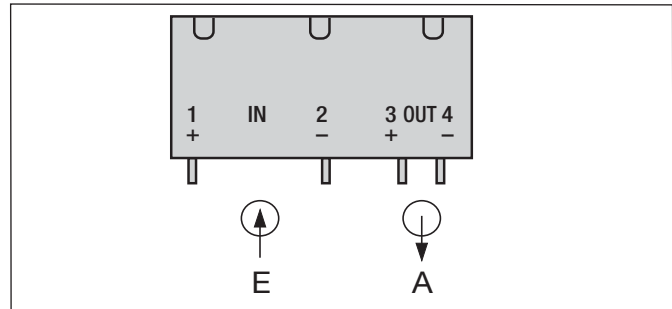
Ambient temperature: Operation -20...65 °C
 Storage -40...85 °C
 Seismic test: 5 g, < 200 Hz,
 2 h in each of 3 directions
 Shock test: **50 g**
 10 shocks in each of 3 directions

Table 1: Units available ex stock

Both versions of the signal isolator are available ex stock. Quoting the order No. is sufficient when ordering.

Type	Version	Order No.
DCM 817-4	bent contact pins	988 719
DCM 817-5	straight contact pins	988 727

Electrical connections



Dimensional drawings

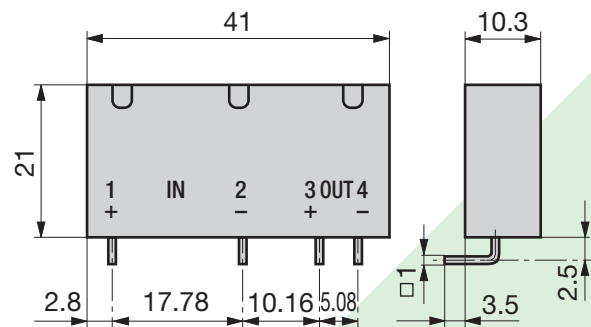


Fig. 5. Signal isolator type DCM 817-4.

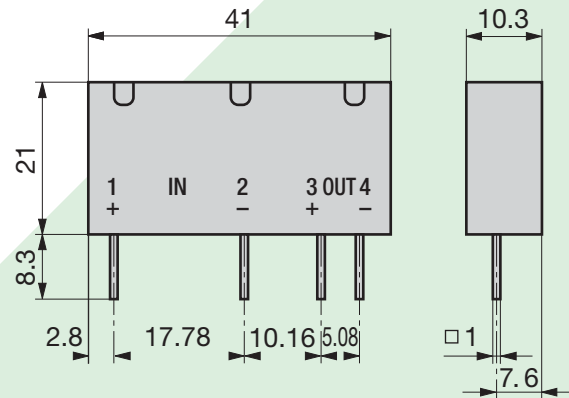


Fig. 6. Signal isolator type DCM 817-5.

 **CAMILLE BAUER**
 Rely on us.

По вопросам продажи и поддержки обращайтесь:

Архангельск (8182)63-90-72
Астана (7172)727-132
Астрахань (8512)99-46-04
Барнаул (3852)73-04-60
Белгород (4722)40-23-64
Брянск (4832)59-03-52
Владивосток (423)249-28-31
Волгоград (844)278-03-48
Вологда (8172)26-41-59
Воронеж (473)204-51-73
Екатеринбург (343)384-55-89
Иваново (4932)77-34-06
Ижевск (3412)26-03-58
Казань (843)206-01-48



Калининград (4012)72-03-81
Калуга (4842)92-23-67
Кемерово (3842)65-04-62
Киров (8332)68-02-04
Краснодар (861)203-40-90
Красноярск (391)204-63-61
Курск (4712)77-13-04
Липецк (4742)52-20-81
Магнитогорск (3519)55-03-13
Москва (495)268-04-70
Мурманск (8152)59-64-93
Набережные Челны (8552)20-53-41
Нижний Новгород (831)429-08-12
Новокузнецк (3843)20-46-81

Новосибирск (383)227-86-73
Омск (3812)21-46-40
Орел (4862)44-53-42
Оренбург (3532)37-68-04
Пенза (8412)22-31-16
Пермь (342)205-81-47
Ростов-на-Дону (863)308-18-15
Рязань (4912)46-61-64
Самара (846)206-03-16
Санкт-Петербург (812)309-46-40
Саратов (845)249-38-78
Севастополь (8692)22-31-93
Симферополь (3652)67-13-56
Смоленск (4812)29-41-54



Сочи (862)225-72-31
Ставрополь (8652)20-65-13
Сургут (3462)77-98-35
Тверь (4822)63-31-35
Томск (3822)98-41-53
Тула (4872)74-02-29
Тюмень (3452)66-21-18
Ульяновск (8422)24-23-59
Уфа (347)229-48-12
Хабаровск (4212)92-98-04
Челябинск (351)202-03-61
Череповец (8202)49-02-64
Ярославль (4852)69-52-93

Единый адрес для всех регионов: cmn@nt-rt.ru || www.camille-bauer.nt-rt.ru

PROCESS CONTROL ENGINEERING

ANGULAR POSITION ENGINEERING

HEAVY CURRENT ENGINEERING

