



## Сигнальный изолятор SINEAX TI816-5

**Архангельск** (8182)63-90-72  
**Астана** (7172)727-132  
**Астрахань** (8512)99-46-04  
**Барнаул** (3852)73-04-60  
**Белгород** (4722)40-23-64  
**Брянск** (4832)59-03-52  
**Владивосток** (423)249-28-31  
**Волгоград** (844)278-03-48  
**Вологда** (8172)26-41-59  
**Воронеж** (473)204-51-73  
**Екатеринбург** (343)384-55-89  
**Иваново** (4932)77-34-06  
**Ижевск** (3412)26-03-58  
**Казань** (843)206-01-48

**Калининград** (4012)72-03-81  
**Калуга** (4842)92-23-67  
**Кемерово** (3842)65-04-62  
**Киров** (8332)68-02-04  
**Краснодар** (861)203-40-90  
**Красноярск** (391)204-63-61  
**Курск** (4712)77-13-04  
**Липецк** (4742)52-20-81  
**Магнитогорск** (3519)55-03-13  
**Москва** (495)268-04-70  
**Мурманск** (8152)59-64-93  
**Набережные Челны** (8552)20-53-41  
**Нижний Новгород** (831)429-08-12  
**Новокузнецк** (3843)20-46-81

**Новосибирск** (383)227-86-73  
**Омск** (3812)21-46-40  
**Орел** (4862)44-53-42  
**Оренбург** (3532)37-68-04  
**Пенза** (8412)22-31-16  
**Пермь** (342)205-81-47  
**Ростов-на-Дону** (863)308-18-15  
**Рязань** (4912)46-61-64  
**Самара** (846)206-03-16  
**Санкт-Петербург** (812)309-46-40  
**Саратов** (845)249-38-78  
**Севастополь** (8692)22-31-93  
**Симферополь** (3652)67-13-56  
**Смоленск** (4812)29-41-54

**Сочи** (862)225-72-31  
**Ставрополь** (8652)20-65-13  
**Сургут** (3462)77-98-35  
**Тверь** (4822)63-31-35  
**Томск** (3822)98-41-53  
**Тула** (4872)74-02-29  
**Тюмень** (3452)66-21-18  
**Ульяновск** (8422)24-23-59  
**Уфа** (347)229-48-12  
**Хабаровск** (4212)92-98-04  
**Челябинск** (351)202-03-61  
**Череповец** (8202)49-02-64  
**Ярославль** (4852)69-52-93

Единый адрес для всех регионов: [cmn@nt-rt.ru](mailto:cmn@nt-rt.ru) || [www.camille-bauer.nt-rt.ru](http://www.camille-bauer.nt-rt.ru)

использовано с разрешения официального  
дистрибьютора АО «ЮЕ-Интернейшнл»

# SINEAX TI 816

## Passive DC Signal Isolator

without power supply,  
in carrying rail housing



### Application

The signal isolator **SINEAX TI 816** (Fig. 1) serves to electrically insulate an analog DC signal in the range 0...20 mA which depending on version is then converted to a current or voltage signal (0...20 mA or 0...10 V). It operates passively and does not require a separate power supply, but derives the little auxiliary energy it needs from the DC signal.

Its narrow casing is designed for mounting on different types of standard rails. A number of signal isolators can be mounted immediately next to each other and where there are many DC signals to be isolated can form a compact isolator block.



Fig. 1

### Features / Benefits

- Electrically insulated analog DC signals 0...20 mA / Prevents the transfer of interference voltages and currents. Solves grounding problems in meshed signal networks
- Highly accurate / Performs its isolating function with negligible transmission error
- No power supply needed / Saves wiring costs and is easy to install in existing plants
- The device fulfils the protection requirements of the EMC guidelines (89/336/EWG) / The device bears the CE symbol for EMC. See "Table 2: Electromagnetic compatibility"
- Small and compact / Makes best use of the available space

### Layout and mode of operation

The DC signal isolator comprises a DC chopper Z, an isolating stage T, a rectifier G and an oscillator O.

The chopper converts the DC input signal E to an AC signal which is transformed with electrical insulation, rectified, smoothed and appears at the output as a DC **current** signal A (Fig. 2, left). Versions with a DC output **voltage** signal A have a resistive burden through which the current flows (Fig. 2, right).

The chopper is controlled by the oscillator which obtains its power from the DC signal.

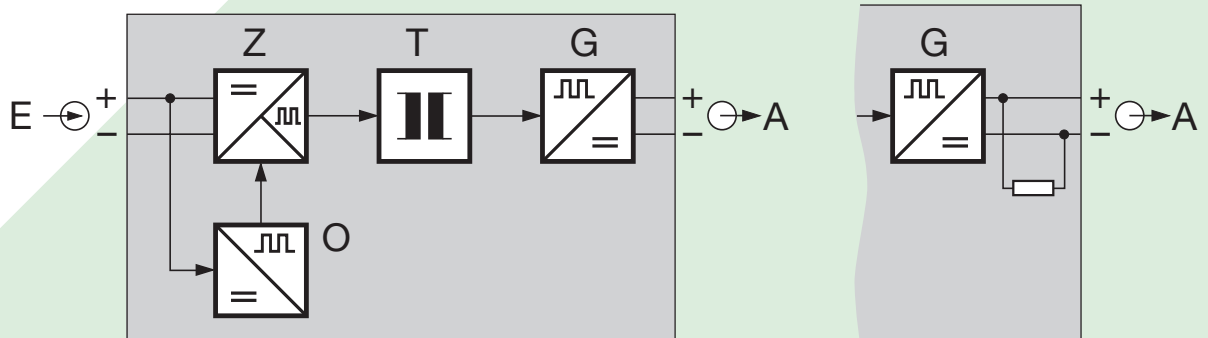


Fig. 2. Schematic diagram.

# SINEAX TI 816

## Passive DC Signal Isolator

### Technical data

#### Input signal E $\rightarrow$

DC current:	0...20 mA
Max. permissible :	50 mA
Voltage limiter:	18 V $\pm$ 5% (with zener diode)
Voltage drop:	< 2.1 V (for 500 $\Omega$ burden)
Overshoot:	< 20 $\mu$ A (typical 5 $\mu$ A)

#### Output signal A $\leftarrow$

DC current <b>or</b> DC voltage:	0...20 mA <b>or</b> 0...10 V
Limit:	Approx. 30 mA <sup>1</sup> Approx. 15 V <sup>2</sup>
Max. burden:	600 $\Omega$ <sup>1</sup>
Internal resistance:	500 $\Omega$ <sup>2</sup>
Residual ripple:	< 20 mV ss
Time constant:	Approx. 5 ms

### Accuracy data

Error limits:	< $\pm$ 0.1% <sup>1</sup> (reference value 20 mA, linearity error included) < $\pm$ 0.2% <sup>2</sup> (reference value 10 V, linearity error included)
---------------	---

### Reference conditions:

Ambient temperature	23 °C $\pm$ 1 K
Output burden	100 $\Omega$ <sup>1</sup> $\geq$ 5 M $\Omega$ <sup>2</sup>

### Additional error:

Burden influence	< 0.2% (at 500 $\Omega$ ) <sup>1</sup>
Temperature coefficient	< 50 ppm/K

### Installation data

Mechanical design:	Carrying rail housing N12 Dimensions see section "Dimensional drawings"
Material of housing:	Lexan 940 (polycarbonate) Flammability Class V-0 acc. to UL 94, self-extinguishing, non-dripping, free of halogen

### Mounting:

#### Snapping

- onto G-type rail  
acc. to EN 50 035-G32
- or
- onto top-hat rail  
acc. to EN 50 022-35  $\times$  7.5

### Mounting position:

Any

### Electrical connections:

- Screw terminals with wire protection
- for 0.2 to 4 mm<sup>2</sup> non-stranded wires
  - or
  - for 0.2 to 2.5 mm<sup>2</sup> stranded wires

### Weight:

Approx. 35 g

### Regulations

Electrical design:	Acc. to IEC 1010
Protection:	Housing IP 40 acc. to EN 60 529, Terminals IP 20
Test voltage:	500 V <sub>eff</sub> , 50 Hz, 1 min.
Max. surge voltage:	800 V

### Ambient conditions

Climatic rating:	Climate class 3Z acc. to VDI/VDE 3540
Operating temperature:	– 20 to + 65 °C
Storage temperature:	– 40 to + 85 °C
Annual mean relative humidity:	$\leq$ 75% standard climatic rating
Seismic test:	5 g, < 200 Hz, 2 h in each of 3 directions
Shock test:	<b>50 g</b> 10 shocks in each of 3 directions
Altitude:	Max. 2000 m
Indoor use only!	

<sup>1</sup> With current signal

<sup>2</sup> With voltage signal

# SINEAX TI 816

## Passive DC Signal Isolator

**Table 1: Versions (stock)**

There are two versions of the DC signal isolator SINEAX TI 816 both of which are available ex stock. Quoting the **order No.** is sufficient when ordering:

Description	Output signal A	Order Code	Order No.
Passive <b>DC signal isolator</b> input signal E: 0...20 mA, with 1 isolation and transmission channel, in carrying rail housing N12	0...20 mA	816 - 5110	990 722
	0...10 V	816 - 5111	994 089

**Table 2: Electromagnetic compatibility**

Reference was made to the general standards EN 50 081-2 and EN 50 082-2

Conducted interference from the instrument	EN 55 011	Group 1, Class A
HF radiation from complete instrument	EN 55 011	Group 1, Class A
Electrostatic discharge	IEC 1000-4-2	Direct: ± 8 kV air Indirect: ± 6 kV contact
HF field influence on instrument	IEC 1000-4-3	80 MHz...1000 MHz: 10 V/m, 80% AM 1 kHz (ITU-frequencies, 3 V/m)
Transient burst via connections	IEC 1000-4-4	± 2 kV, 5/50 ns, 5 kHz, > 2 min. capacitively coupled
HF interference via connections	IEC 1000-4-6	0.15 to 80 MHz: 10 V, 80% AM 1 kHz (ITU-frequencies, 3 V)

The device fulfils the protection requirements of the EMC guidelines (89/336/EWG). **The device bears the CE symbol for EMC.**

### Electrical connections

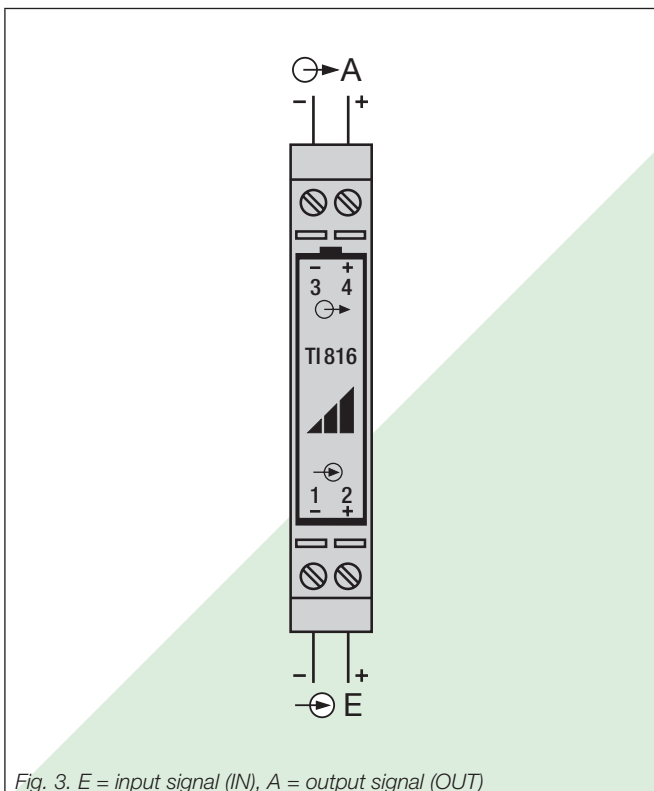


Fig. 3. E = input signal (IN), A = output signal (OUT)

### Standard accessories

1 Operating Instruction each in German, French and English

# SINEAX TI 816

## Passive DC Signal Isolator

### Dimensional drawings

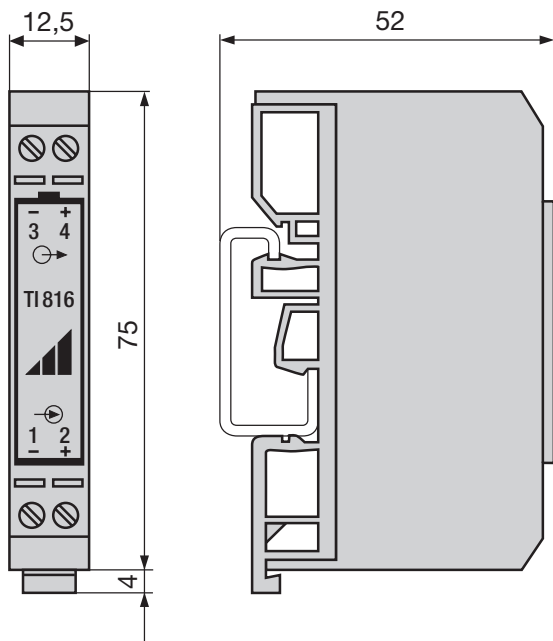


Fig. 4. SINEAX TI 816 in carrying rail housing **N12** on G-type rail EN 50 035 – G 32.

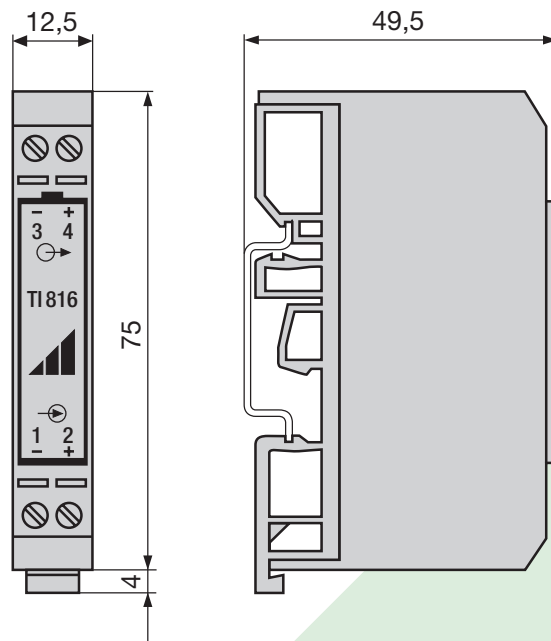


Fig. 5. SINEAX TI 816 in carrying rail housing **N12** on top-hat rail EN 50 022 – 35 x 7.5.

**По вопросам продажи и поддержки обращайтесь:**

**Архангельск** (8182)63-90-72  
**Астана** (7172)727-132  
**Астрахань** (8512)99-46-04  
**Барнаул** (3852)73-04-60  
**Белгород** (4722)40-23-64  
**Брянск** (4832)59-03-52  
**Владивосток** (423)249-28-31  
**Волгоград** (844)278-03-48  
**Вологда** (8172)26-41-59  
**Воронеж** (473)204-51-73  
**Екатеринбург** (343)384-55-89  
**Иваново** (4932)77-34-06  
**Ижевск** (3412)26-03-58  
**Казань** (843)206-01-48



**Калининград** (4012)72-03-81  
**Калуга** (4842)92-23-67  
**Кемерово** (3842)65-04-62  
**Киров** (8332)68-02-04  
**Краснодар** (861)203-40-90  
**Красноярск** (391)204-63-61  
**Курск** (4712)77-13-04  
**Липецк** (4742)52-20-81  
**Магнитогорск** (3519)55-03-13  
**Москва** (495)268-04-70  
**Мурманск** (8152)59-64-93  
**Набережные Челны** (8552)20-53-41  
**Нижний Новгород** (831)429-08-12  
**Новокузнецк** (3843)20-46-81

**Новосибирск** (383)227-86-73  
**Омск** (3812)21-46-40  
**Орел** (4862)44-53-42  
**Оренбург** (3532)37-68-04  
**Пенза** (8412)22-31-16  
**Пермь** (342)205-81-47  
**Ростов-на-Дону** (863)308-18-15  
**Рязань** (4912)46-61-64  
**Самара** (846)206-03-16  
**Санкт-Петербург** (812)309-46-40  
**Саратов** (845)249-38-78  
**Севастополь** (8692)22-31-93  
**Симферополь** (3652)67-13-56  
**Смоленск** (4812)29-41-54



**Сочи** (862)225-72-31  
**Ставрополь** (8652)20-65-13  
**Сургут** (3462)77-98-35  
**Тверь** (4822)63-31-35  
**Томск** (3822)98-41-53  
**Тула** (4872)74-02-29  
**Тюмень** (3452)66-21-18  
**Ульяновск** (8422)24-23-59  
**Уфа** (347)229-48-12  
**Хабаровск** (4212)92-98-04  
**Челябинск** (351)202-03-61  
**Череповец** (8202)49-02-64  
**Ярославль** (4852)69-52-93

**Единый адрес для всех регионов: [cmn@nt-rt.ru](mailto:cmn@nt-rt.ru) || [www.camille-bauer.nt-rt.ru](http://www.camille-bauer.nt-rt.ru)**

**PROCESS CONTROL ENGINEERING**

**ANGULAR POSITION ENGINEERING**

**HEAVY CURRENT ENGINEERING**

