



Передатчик - блок питания SINEAX B812

Архангельск (8182)63-90-72
Астана (7172)727-132
Астрахань (8512)99-46-04
Барнаул (3852)73-04-60
Белгород (4722)40-23-64
Брянск (4832)59-03-52
Владивосток (423)249-28-31
Волгоград (844)278-03-48
Вологда (8172)26-41-59
Воронеж (473)204-51-73
Екатеринбург (343)384-55-89
Иваново (4932)77-34-06
Ижевск (3412)26-03-58
Казань (843)206-01-48

Калининград (4012)72-03-81
Калуга (4842)92-23-67
Кемерово (3842)65-04-62
Киров (8332)68-02-04
Краснодар (861)203-40-90
Красноярск (391)204-63-61
Курск (4712)77-13-04
Липецк (4742)52-20-81
Магнитогорск (3519)55-03-13
Москва (495)268-04-70
Мурманск (8152)59-64-93
Набережные Челны (8552)20-53-41
Нижний Новгород (831)429-08-12
Новокузнецк (3843)20-46-81

Новосибирск (383)227-86-73
Омск (3812)21-46-40
Орел (4862)44-53-42
Оренбург (3532)37-68-04
Пенза (8412)22-31-16
Пермь (342)205-81-47
Ростов-на-Дону (863)308-18-15
Рязань (4912)46-61-64
Самара (846)206-03-16
Санкт-Петербург (812)309-46-40
Саратов (845)249-38-78
Севастополь (8692)22-31-93
Симферополь (3652)67-13-56
Смоленск (4812)29-41-54

Сочи (862)225-72-31
Ставрополь (8652)20-65-13
Сургут (3462)77-98-35
Тверь (4822)63-31-35
Томск (3822)98-41-53
Тула (4872)74-02-29
Тюмень (3452)66-21-18
Ульяновск (8422)24-23-59
Уфа (347)229-48-12
Хабаровск (4212)92-98-04
Челябинск (351)202-03-61
Череповец (8202)49-02-64
Ярославль (4852)69-52-93

Единый адрес для всех регионов: cmn@nt-rt.ru || www.camille-bauer.nt-rt.ru

использовано с разрешения официального дистрибьютора АО «ЮЕ-Интернейшнл»

SINEAX B812

Transmitter – Power Supply Unit

for intelligent and conventional 2-wire transmitters, in housing P12/17 for rail mounting



II (1) G [Ex ia Ga] IIC
II (1) D [Ex ia Da] IIIC



Application

The transmitter-power supply unit **SINEAX B812** (Fig. 1) provides the DC power supply for **2-wire transmitters** and transfers the measured variable unchanged to the **electrically insulated** output.

All versions of the SINEAX B812 are **designed for FSK¹ communication**. They are used in conjunction with “intelligent” 2-wire transmitters which are capable of dialogue and operation according to the FSK principle and the HART or user-specific protocol.

The series also includes “intrinsically safe” versions [Ex ia Ga] IIC and [Ex ia Da] IIIC with an intrinsically safe input. These operate in conjunction with intrinsically safe 2-wire transmitters located in explosion hazard areas.

Provision is made for monitoring the measurement/supply to detect short and open-circuits. Either of these faults is signalled by the red LED.

The instrument fulfils all the important requirements and regulations concerning electromagnetic compatibility **EMV** and **Safety** (EN 61010). It was developed and is manufactured and tested in strict accordance with the **quality assurance standard** ISO 9001.

Production QA is also certified according to guideline 94/9/EG.

Features / Benefits

- Designed for FSK communication / This facilitates operation in conjunction with an “intelligent” 2-wire transmitter designed for FSK and with a HART or user-specific protocol
- Electrically insulated between input, output and power supply / Fulfils IEC 1010 resp. EN 61010
- AC/DC power supply / Universal
- “Intrinsically safe” version [Ex ia Ga] IIC and [Ex ia Da] IIIC available (see section “Explosion protection data”)
- Measurement/supply circuit monitored for open and short-circuits / Faults signalled by red LED
- Green power on LED
- Compact and narrow



Technical Data

Input →

Measurement / supply circuit

Signal range	4 ... 20 mA
Power supply voltage (I = 20 mA)	18.0 V ± 1 V
No-load voltage (I = 0 mA)	25.5 V ± 1 V
Short circuit current limitation	25 mA ± 2 mA
Source resistance	330 Ω ± 5 Ω
Open circuit detection	3.5 mA ± 0.1 mA
Short circuit detection	21.2 mA ± 0.2 mA

Output ⇄

Signal range	4 ... 20 mA
No-load voltage (I = 0 mA)	17.0 V ± 1 V
Internal communication resistor R _C	250 Ω
Permitted load	0 ... 750 Ω 0 ... 500 Ω (via R _C)

¹FSK = Frequency Shift Keying

SINEAX B812

Transmitter – Power Supply Unit

Power supply →○

Universal power supply for DC and AC

	Low-range version	High-range version
Voltage range AC/DC	24 – 60 V ±15%	85 – 230 V ±15% *)
Switching-on current I / τ	2.5 A / 1.0 ms at 24 V DC	20 A / 0.15 ms at 325 V DC
Frequency range AC	50 ... 400 Hz	
Power consumption max.	3 VA / 2.4 W	

*) Voltages > 125 V DC require external protection with max. 10 A trip current. For the Ex version, the data in the EC type examination certificate are valid (Um = 253 V AC or 125 V DC).

Accuracy

Reference conditions	Tamb = 23 °C, I _{load} = 300 Ω Warm up time 20 minutes Power supply = 24 V DC or 230 V AC Range = 16 mA ± 100%
Error tolerance incl. linearity error under reference conditions	± 0.2%
Effect of output load	< 0.1%
Temperature effect	< 0.1% / 10 K
Effect of power supply	< 0.05%

Transfer

Signal current over-range	10%
Response time	< 0.3 ms
HART®	Transparent for HART signals in both directions

Galvanic isolation

All three circuits (input / power supply / output) are galvanically isolated from each other.

Regulations

Electromagnetic compatibility:	EN 61000-6-2 EN 61000-6-4
Intrinsic safety:	EN 60079-11 , EN 60079-26
Protection (IEC 529 resp. EN 60529):	Terminals IP20 Housing IP40
Electrical safety:	EN 61010-1
Working voltage:	300 V
Contamination level:	2
Overvoltage category:	III
Test voltage:	3.6 kV
Flammability class	UL 94 V0

Ambient conditions

Operating temperature	-20 ... +50 °C
Storage temperature	-20 ... +70 °C
Relative humidity	≤ 75%, without condensation

Installation data

Mounting:	For snapping onto top hat rail (35 x 15 mm or 35 x 7.5 mm) acc. to EN 50022
Position of use:	Any
Terminal cross section:	0.14 mm ² to 2.5 mm ²
Plug-in terminals:	Coded to prevent incorrect connection
Weight:	Approx. 100 g

Versions

Device Ex-versions [Ex ia Ga] IIC and [Ex ia Da] IIIC

Power supply	Connection terminals	Order number
85 – 230 V AC / 125 V DC	not pluggable	155 102
85 – 230 V AC / 125 V DC	pluggable	155 144
24 – 60 V AC / DC	not pluggable	155 095
24 – 60 V AC / DC	pluggable	155 136

Device standard versions

Power supply	Connection terminals	Order number
85 – 230 V AC / DC	not pluggable	155 087
85 – 230 V AC / DC	pluggable	155 128
24 – 60 V AC / DC	not pluggable	155 079
24 – 60 V AC / DC	pluggable	155 110

Explosion protection data

Type examination certificate:	ZELM 04 ATEX 0217
Type of protection:	[Ex ia Ga] IIC and [Ex ia Da] IIIC

Marking:  II (1) G
II (1) D

U _o	28.2 V
I _o	95 mA
P _o	0.67 W
Characteristic	linear

	IIC	IIB
C _o	81 nF	641 nF
L _o	4 mH	15 mH

SINEAX B812 Transmitter – Power Supply Unit

Indicator LEDs

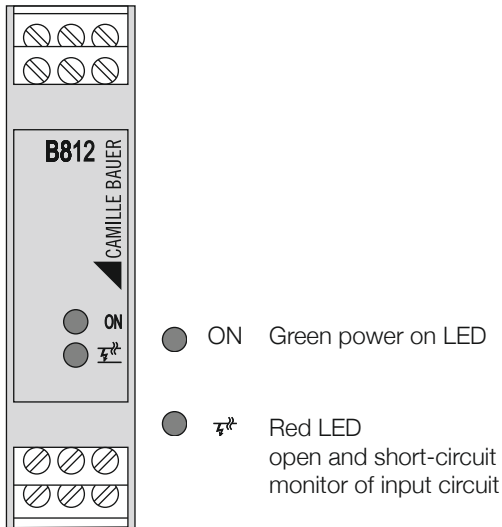


Fig. 2

Electrical connections

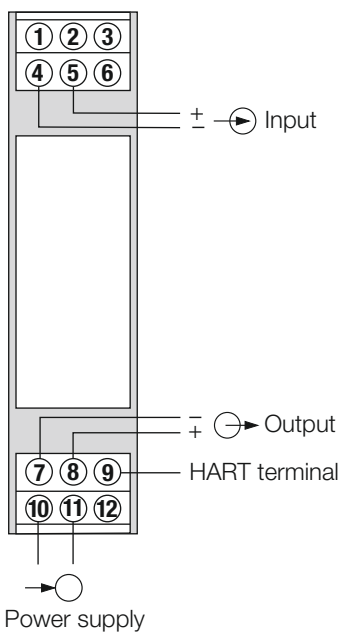


Fig. 3

Dimensional drawings

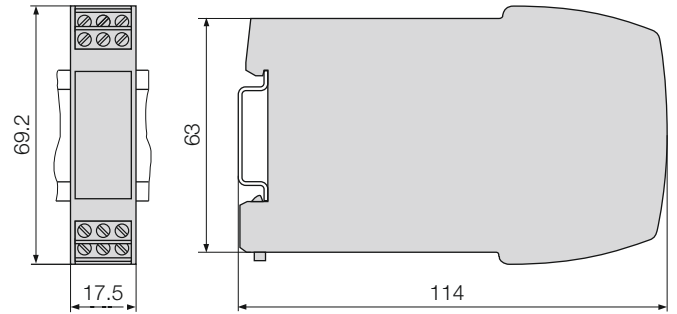


Fig. 4. SINEAX B812 in housing **P12/17** clipped onto a top-hat rail (35 x 15 mm or 35 x 7.5 mm, acc. to EN 50022). **Connection terminals not plugable.**

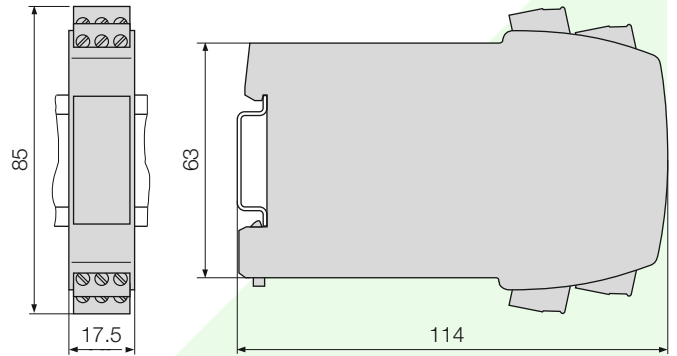


Fig. 5. SINEAX B812 in housing **P12/17 St** clipped onto a top-hat rail (35 x 15 mm or 35 x 7.5 mm, acc. to EN 50022). **Connection terminals plugable.**

По вопросам продажи и поддержки обращайтесь:

Архангельск (8182)63-90-72
Астана (7172)727-132
Астрахань (8512)99-46-04
Барнаул (3852)73-04-60
Белгород (4722)40-23-64
Брянск (4832)59-03-52
Владивосток (423)249-28-31
Волгоград (844)278-03-48
Вологда (8172)26-41-59
Воронеж (473)204-51-73
Екатеринбург (343)384-55-89
Иваново (4932)77-34-06
Ижевск (3412)26-03-58
Казань (843)206-01-48

Калининград (4012)72-03-81
Калуга (4842)92-23-67
Кемерово (3842)65-04-62
Киров (8332)68-02-04
Краснодар (861)203-40-90
Красноярск (391)204-63-61
Курск (4712)77-13-04
Липецк (4742)52-20-81
Магнитогорск (3519)55-03-13
Москва (495)268-04-70
Мурманск (8152)59-64-93
Набережные Челны (8552)20-53-41
Нижний Новгород (831)429-08-12
Новокузнецк (3843)20-46-81

Новосибирск (383)227-86-73
Омск (3812)21-46-40
Орел (4862)44-53-42
Оренбург (3532)37-68-04
Пенза (8412)22-31-16
Пермь (342)205-81-47
Ростов-на-Дону (863)308-18-15
Рязань (4912)46-61-64
Самара (846)206-03-16
Санкт-Петербург (812)309-46-40
Саратов (845)249-38-78
Севастополь (8692)22-31-93
Симферополь (3652)67-13-56
Смоленск (4812)29-41-54

Сочи (862)225-72-31
Ставрополь (8652)20-65-13
Сургут (3462)77-98-35
Тверь (4822)63-31-35
Томск (3822)98-41-53
Тула (4872)74-02-29
Тюмень (3452)66-21-18
Ульяновск (8422)24-23-59
Уфа (347)229-48-12
Хабаровск (4212)92-98-04
Челябинск (351)202-03-61
Череповец (8202)49-02-64
Ярославль (4852)69-52-93

Единый адрес для всех регионов: cmn@nt-rt.ru || www.camille-bauer.nt-rt.ru

PROCESS CONTROL ENGINEERING



ANGULAR POSITION ENGINEERING



HEAVY CURRENT ENGINEERING

