

Трансмиситтер углового положения KINAX HW730-Modbus/TCP with PoE

Архангельск (8182)63-90-72
Астана (7172)727-132
Астрахань (8512)99-46-04
Барнаул (3852)73-04-60
Белгород (4722)40-23-64
Брянск (4832)59-03-52
Владивосток (423)249-28-31
Волгоград (844)278-03-48
Вологда (8172)26-41-59
Воронеж (473)204-51-73
Екатеринбург (343)384-55-89
Иваново (4932)77-34-06
Ижевск (3412)26-03-58
Казань (843)206-01-48

Калининград (4012)72-03-81
Калуга (4842)92-23-67
Кемерово (3842)65-04-62
Киров (8332)68-02-04
Краснодар (861)203-40-90
Красноярск (391)204-63-61
Курск (4712)77-13-04
Липецк (4742)52-20-81
Магнитогорск (3519)55-03-13
Москва (495)268-04-70
Мурманск (8152)59-64-93
Набережные Челны (8552)20-53-41
Нижний Новгород (831)429-08-12
Новокузнецк (3843)20-46-81

Новосибирск (383)227-86-73
Омск (3812)21-46-40
Орел (4862)44-53-42
Оренбург (3532)37-68-04
Пенза (8412)22-31-16
Пермь (342)205-81-47
Ростов-на-Дону (863)308-18-15
Рязань (4912)46-61-64
Самара (846)206-03-16
Санкт-Петербург (812)309-46-40
Саратов (845)249-38-78
Севастополь (8692)22-31-93
Симферополь (3652)67-13-56
Смоленск (4812)29-41-54

Сочи (862)225-72-31
Ставрополь (8652)20-65-13
Сургут (3462)77-98-35
Тверь (4822)63-31-35
Томск (3822)98-41-53
Тула (4872)74-02-29
Тюмень (3452)66-21-18
Ульяновск (8422)24-23-59
Уфа (347)229-48-12
Хабаровск (4212)92-98-04
Челябинск (351)202-03-61
Череповец (8202)49-02-64
Ярославль (4852)69-52-93

Единый адрес для всех регионов: cmn@nt-rt.ru || www.camille-bauer.nt-rt.ru

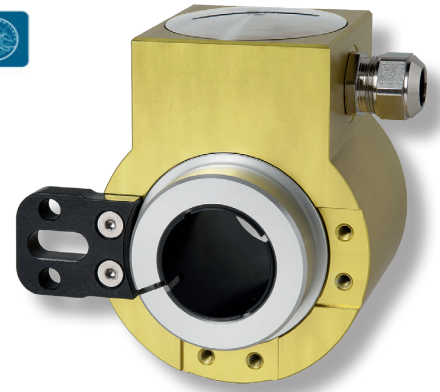
использовано с разрешения официального
дистрибьютора АО «ЮЕ-Интернейшл»

KINAX HW730-Modbus/TCP with PoE hollow-shaft transmitter for angular position

For heavy-duty applications

KINAX HW730 is a robust, absolute hollow-shaft transmitter for angular position, which is particularly suited to applications in rough environments due to its unique capacitive measuring principle. It acquires the angular position of a shaft in a non-contact manner and converts it into an impressed direct current proportional to the measured value.

The high mechanical capacity, the robust design, easy assembly, the particularly large continuous hollow shaft up to 30mm, the variety of connection options and free parameterisation offer the highest degree of quality and flexibility in application and installation.



Your customer benefit

LOW LIFE-CYCLE COSTS DUE TO:

TESTED TOP QUALITY

- Waterproof and dustproof IP67/IP69K
- Suitable for marine applications according to GL
- Interface Modbus/TCP with Power over Ethernet (PoE)

SAFE, FREE OF MAINTENANCE

- High absolute accuracy ($\pm 0.15^\circ$)
- Resistant to high mechanical stress due to its robust design and high-quality materials
- Safe electronic connection via M12x1 sensor plug

EASY AND FAST COMMISSIONING

- Continuous hollow shaft up to $\varnothing 30\text{mm}$
- Reliable clamping flange
- Ethernet connection cable CAT5
- Free parameterising via CB-Manager

Technical data

General

Measured quantity:	Angle of rotation
Measuring principle:	Capacitive method

Measuring input

Angle measuring range:	Programmable 0 ... 360°
Hollow-shaft diameter:	$\varnothing 30\text{ mm}$ [1.181"], reducing the diameter of the hollow shaft by casing adapter
Starting torque:	max. 0.5 Nm [70.806 in-oz]
Sense of rotation:	Adjustable

Measuring output

Power supply:	Power over Ethernet (PoE)
Interface:	Modbus TCP/IP (IEC 61158) 100BASE-TX
Function:	Configuration and measured value enquiry
Transmission rate:	10 / 100 MBit

Accuracy data

Absolute precision:	$\pm 0.15^\circ$ (0.04% at 360°)
Resolution:	14 Bit
Reproducibility:	< 0,1°
Influence of temperature output current (-40...+85°C) [-40...+185°F]:	$\pm 0.04\%$ / 10K

Installation data

Material:	aluminium EN AW-6060 T6 anodized
Mounting position:	Any
Connections:	8-pole spring-type terminal block via cable gland or sensor plug metal (M12x1 / 4-pole d-coded)
Weight:	Approx. 820g [28.925 oz]

Regulations

Spurious radiation:	EN 61 000-6-3
Immunity:	EN 61 000-6-2
Test voltage:	750 V DC, 1 Min. All connections against housing

KINAX HW730-Modbus/TCP with PoE hollow-shaft transmitter for angular position

Housing protection: IP 67 acc. to EN 60529
IP 69K acc. to EN 40050-9

Environmental conditions

Climatic rating: Temperature -40 ... +85 °C
[-40 ... +185°F]
Rel. humidity ≤ 95 % non-condensing

Vibration resistance: ≤ 100 m/s² / 10...500 Hz
according to EN 60068-2-6

Shock resistance: 1000 m/s² / 11 ms
according to EN 60068-2-27

Transportation and storage temperature: -40 ... +85 °C [-40 ... +185°F]

Modbus/TCP protocol with Power over Ethernet (PoE)

The Modbus TCP/IP protocol is a widespread standard protocol based on a master/slave or client/server architecture. It is directly supported by all common operating systems and visualising tools thus permitting the fast implementation of the devices.

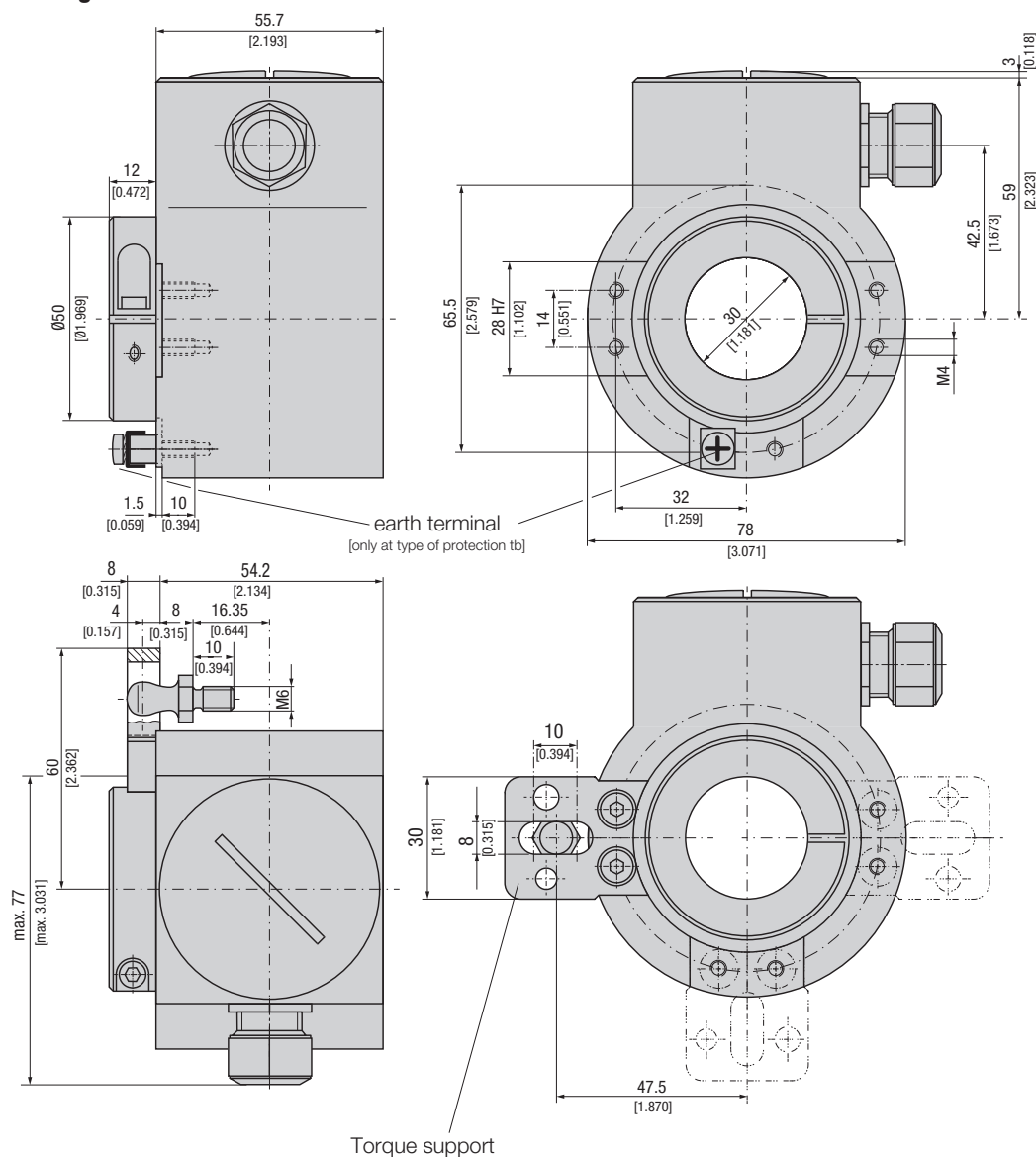
Power over Ethernet (PoE) provides a transfer medium with a high bandwidth which supplies network-compatible devices directly via the Ethernet cable.

Parameterisation and measured value acquisition

The CB Manager PC software supplied with every device serves the parameterisation of KINAX HW730-Modbus/TCP with PoE. The Ethernet interface not only permits the parameterisation of the device but also the acquisition of all of the measured values.

CB-Manager Software is included with each device.

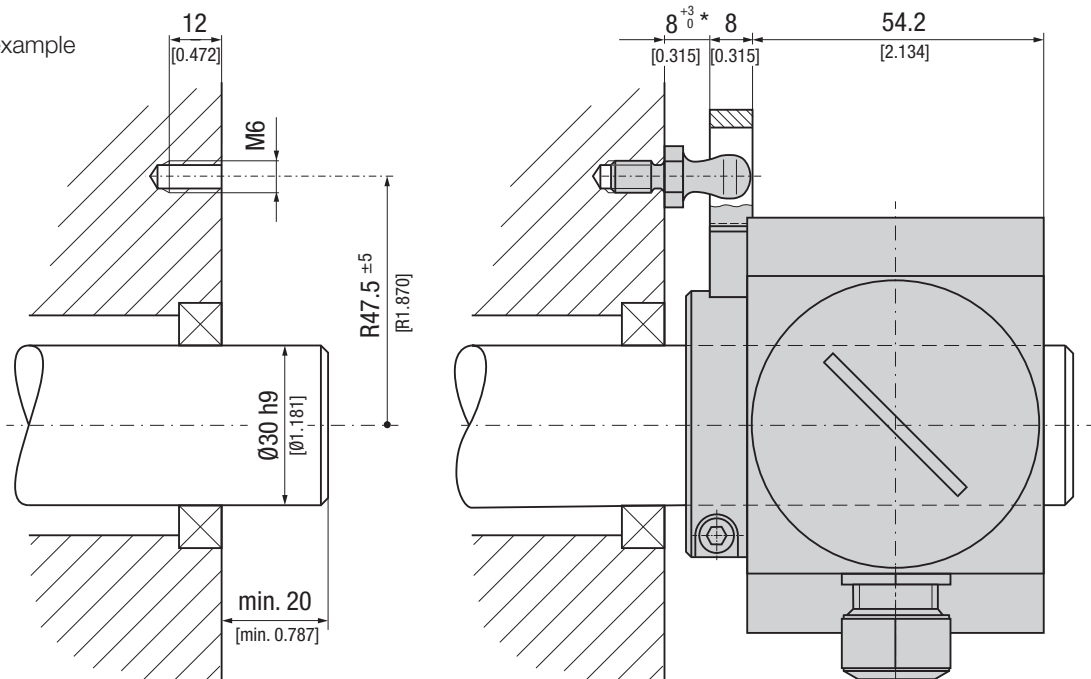
Dimensional drawing



KINAX HW730-Modbus/TCP with PoE hollow-shaft transmitter for angular position

Mounting

Installation example



* With spacers, this measure will be increased

Electrical connections

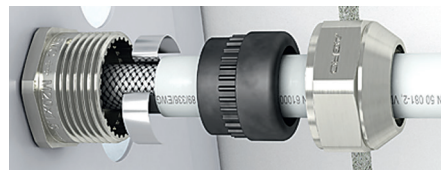
For connecting the external wires, the transmitter has a plug connector M12x1 / 4 poles d-coded or a cable glands M16x1.5. During the version with a cable glands the connection via a spring-type terminal block made in accordance with diagram of connections.

Permissible cable: Ethernet Cat 5
Cable length: 100m

Pin assignment spring-type terminal block

	Pin	Signal	EIA-568-A	EIA-568-B
	1	Rx-	green/white	orange/white
	2	Rx+	green	orange
	3	Tx-	orange/white	green/white
	4	Tx+	orange	green
	A		blue/white	blue/white
	A		blue	blue
	B		brown/white	brown/white
	B		brown	brown

Assembly instruction cable gland easyCONNECT EMC



Push contact spring with sealing set into the lower part and tighten nut using a tool. Please make sure that the contact spring contacts the screen.

Connection allocation plug M12x1 / 4-poles d-coded

	Pin	Signal
	1	Rx+
	2	Tx+
	3	Rx-
	4	Tx-

KINAX HW730-Modbus/TCP with PoE hollow-shaft transmitter for angular position

Specification and ordering information

Description	Locking code	Impossible with locking code	Article No / Feature
KINAX HW730 Order code 730 - xxxx xxxx xx			730 –
1. Version			
Standard			1
ATEX EX II 2G Ex ia IIC T4 Gb II 2D Ex ia IIIC T80°C Db	A		2
ATEX EX II 2D Ex tb IIIC T80°C Db	A		3
IECEX Ex ia IIC T4 Gb Ex ia IIIC T80°C Db	A		4
IECEX Ex tb IIIC T80°C Db	A		5
2. Angle area mechanically			
Single-Turn (360°)			1
3. Hollow-shaft diameter			
Hollow-shaft 10 mm [0.393"], electrically insulating			1
Hollow-shaft 12 mm [0.472"], electrically insulating			2
Hollow-shaft 16 mm [0.629"], electrically insulating			3
Hollow-shaft 20 mm [0.787"], electrically insulating			4
Hollow-shaft 30 mm [1.181"], non-insulating, standard			5
Hollow-shaft 18 mm, electrically insulating			6
Hollow-shaft 1/2" (12.7mm), electrically insulating			A
Hollow-shaft 5/8" (15.875mm), electrically insulating			B
Hollow-shaft 3/4" (19.05mm), electrically insulating			C
Hollow-shaft 7/8" (22.225mm), electrically insulating			D
Hollow-shaft 1" (25.4mm), electrically insulating			E
4. Torque support			
Standard			1
5. Output variable			
Current, 4...20 mA, two-wire	B		1
Modbus TCP/IP with PoE	C	A	2
6. Electrical connections			
Gland standard			1
Gland with increased strain relief		A	2
Sensor plug M12x1/ 4-poles		AC	
Sensor plug M12x1 / 4-poles d-coded		AB	3
7. Test protocole			
Without protocole			0
Protocole German			D
Protocole English			E
8. Direction of rotation			
Direction of rotation clockwise	J		0
Direction of rotation counter-clockwise	G, J	C	1
V-characteristic	G, K	C	2

KINAX HW730-Modbus/TCP with PoE hollow-shaft transmitter for angular position

Description	Locking code	Impossible with locking code	Article No / Feature				
KINAX HW730			730 –				
9. Measuring range							
Basic configuration (linear, 0 ... 360°)		K, G	0				
[°angle], 0...end value:		C, K	9				
V-characteristic [± ° angle]		C, J	Z				
<table border="1"> <tr> <td>vmax1:</td> <td>vmin1:</td> </tr> <tr> <td>vmax2:</td> <td>vmin2:</td> </tr> </table>	vmax1:	vmin1:	vmax2:	vmin2:			
vmax1:	vmin1:						
vmax2:	vmin2:						
10. Climatic rating / Marine version							
Standard			0				
Version GL (Germanischer Lloyd)			G				

Accessories

Article	Article-Nr.
Kit of torque support HW730	169 749
Adapter sleeve Ø 10 mm, electrically insulating	168 874
Adapter sleeve Ø 12 mm, electrically insulating	168 882
Adapter sleeve Ø 16 mm, electrically insulating	168 907
Adapter sleeve Ø 18 mm, electrically insulating	171 976
Adapter sleeve Ø 20 mm, electrically insulating	168 915
Adapter sleeve Ø 1/2", electrically insulating	171 984
Adapter sleeve Ø 5/8", electrically insulating	171 992
Adapter sleeve Ø 3/4", electrically insulating	172 007
Adapter sleeve Ø 7/8", electrically insulating	172 015
Adapter sleeve Ø 1", electrically insulating	172 023

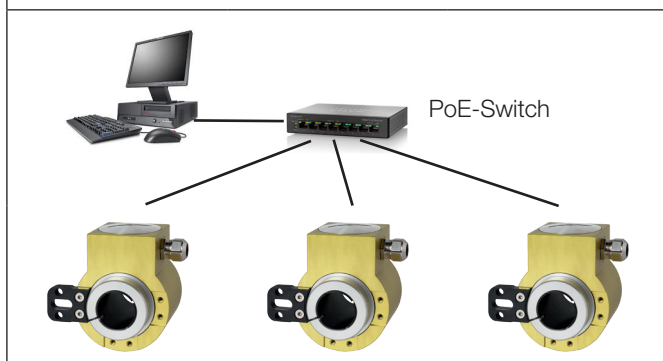
Scope of delivery

- 1 KINAX HW730-Modbus/TCP with PoE programmable hollow-shaft transmitter for angular position
- 1 HW730 torque support set 169 749
- 1 Safety instructions 172 734 (german, english, french)
- 1 Software and documentation CD 156027

Permission

Description	Category
	D, H, EMC1

KINAX HW730-Modbus/TCP with PoE can be connected and supplied via a commercially available PoE switch.



CAMILLE BAUER
Rely on us.

По вопросам продажи и поддержки обращайтесь:

Архангельск (8182)63-90-72
Астана (7172)727-132
Астрахань (8512)99-46-04
Барнаул (3852)73-04-60
Белгород (4722)40-23-64
Брянск (4832)59-03-52
Владивосток (423)249-28-31
Волгоград (844)278-03-48
Вологда (8172)26-41-59
Воронеж (473)204-51-73
Екатеринбург (343)384-55-89
Иваново (4932)77-34-06
Ижевск (3412)26-03-58
Казань (843)206-01-48

Калининград (4012)72-03-81
Калуга (4842)92-23-67
Кемерово (3842)65-04-62
Киров (8332)68-02-04
Краснодар (861)203-40-90
Красноярск (391)204-63-61
Курск (4712)77-13-04
Липецк (4742)52-20-81
Магнитогорск (3519)55-03-13
Москва (495)268-04-70
Мурманск (8152)59-64-93
Набережные Челны (8552)20-53-41
Нижний Новгород (831)429-08-12
Новокузнецк (3843)20-46-81

Новосибирск (383)227-86-73
Омск (3812)21-46-40
Орел (4862)44-53-42
Оренбург (3532)37-68-04
Пенза (8412)22-31-16
Пермь (342)205-81-47
Ростов-на-Дону (863)308-18-15
Рязань (4912)46-61-64
Самара (846)206-03-16
Санкт-Петербург (812)309-46-40
Саратов (845)249-38-78
Севастополь (8692)22-31-93
Симферополь (3652)67-13-56
Смоленск (4812)29-41-54

Сочи (862)225-72-31
Ставрополь (8652)20-65-13
Сургут (3462)77-98-35
Тверь (4822)63-31-35
Томск (3822)98-41-53
Тула (4872)74-02-29
Тюмень (3452)66-21-18
Ульяновск (8422)24-23-59
Уфа (347)229-48-12
Хабаровск (4212)92-98-04
Челябинск (351)202-03-61
Череповец (8202)49-02-64
Ярославль (4852)69-52-93

Единый адрес для всех регионов: cmn@nt-rt.ru || www.camille-bauer.nt-rt.ru

PROCESS CONTROL ENGINEERING



TEMPERATURE



ANGULAR POSITION ENGINEERING



ANGLE



HEAVY CURRENT ENGINEERING



STATUS

